



HYDRAULIC POWER UNITS

The Hydraulic Warehouse (THW) has developed a standard range of THW Power Units with the aim of creating a cost effective product that can be customised to suit a wide range of applications.

Designed and manufactured in Australia, the THW range of Power Units are designed to power hydraulic actuators, including cylinders and motors. Available with a 50L, 100L or 200L tank, the range is ideal for hydraulic systems commonly found in a range of industrial applications.

Each power unit can be built and tested within three working days*.



Standard Features

Tank	Usable Capacity	50L	100L	200L
	Style	Vertical		
	Material	Steel		
	Coating (Exterior)	Enamel Paint		
Motor	Power	0.55 - 9.2kW		0.55 - 22kW
	IP	55		
	Mounting	Vertical Flange		
	Insulation	Class 'F', Class 'B' Temp. Rise.		
	Enclosure	TEFC		
	Voltage (AC)	415 Volt (3-Phase)		
Pump**	Types	Single Gear Pumps, Double Gear Pumps, Piston Pumps		
	Flow	1.5 - 64.2 lpm		
	Single Gear Pumps Disp.	1.1 cc - 33.0 cc		1.1 cc - 46.0 cc
	Double Gear Pumps (Front) Disp.	6.0 cc - 25.0 cc		
	Double Gear Pumps (Back) Disp.	6.0 cc - 25.0 cc		
	Piston Pumps (Pressure Compensated) Disp.	8.0 cc - 36.0 cc		8.0 cc - 46.0 cc
Base Manifold	—	Integrated Filtration		
	—	Integrated Relief Valve		
	Material	Aluminium		
	Interface Suitable For	P & T Ports & Cetop 3 Station Manifold	P & T Ports & Cetop 3 / Cetop 5 Station Manifold	
Filter	Type	Integrated Return Filter		
	Brand	MP Filtri		
	Housing	MPF100	MPF100 / MPF181	
	Element	10µ ABS, 25µ ABS, 10µ Nom, 25µ Nom,		
	Indicator	Visual, Electrical		
Accessories	—	Pressure Gauge		
	—	Level Gauge		
	—	Filler/Breather		

Optional Features

Pump	Load Sense Circuit
	High/Low Circuit
	Pressure Compensated Circuit
Base Manifold	Unloading Valve
	Accumulator Valving
	Oil Cooler Ready
	High/Low Valving
	Remote Pressure Compensator
Station Manifold	Station Manifold Series / Parallel
	Cetop Valves
	System Stack Valves

Pressure Filter	Elements - 3µ ABS, 6µ ABS, 10µ ABS, 25µ ABS, 10µ Nom and 25µ Nom
	Indicator - Visual, Electrical, Visual/Electrical
	Brand - MP Filtri
Reservoir Accessories	Type - Manifold mounted 50L/100L = FHB050 200L = FHB050/FHB135
	Pressure Switch
	Level Switch
	Inline Pressure Filter
	Filter Indicators

* Conditions apply.

** Pump and electric motor will determine the maximum pressure and flow capacity. Please refer to the tables over the page for more information.

Power Unit Configuration Software - Coming Soon

To simplify the power unit configuration process THW has developed configuration software that allows you to conveniently select from the available options. Simply enter your operating parameters and the Configuration Software will design your power unit on the spot!



HYDRAULIC POWER UNITS

Operating Specifications

Gear Pump Range

Disp. (cc/rev)	Pump	Flow (lpm)	Power (kW)													
			0.55	0.75	1.1	1.5	2.2	3	4	5.5	7.5	9.2	11	15	18.5	22
1.1	DIN GRP 1	1.5	183	210												
1.6	DIN GRP 1	2.2	126	171	210											
2.1	DIN GRP 1	2.9	96	130	191	210										
3.2	DIN GRP 1	4.5	63	86	126	171	210									
4.2	DIN GRP 1	5.9	48	65	96	130	191	210								
6	DIN GRP 2	8.4					134	183	210							
8	DIN GRP 2	11.2					100	137	183	210						
12	DIN GRP 2	16.8					67	91	122	167	210					
16	DIN GRP 2	22.3					50	68	91	126	171	210				
20	DIN GRP 2	27.9					40	55	73	100	137	168	201	210		
25	DIN GRP 2	34.9								91	124	153	183	210		
33	SAE-B	46.1								61	83	102	122	166	205	210
46	SAE-B	64.2								44	60	73	87	119	147	175

Max. Pressure (Bar)

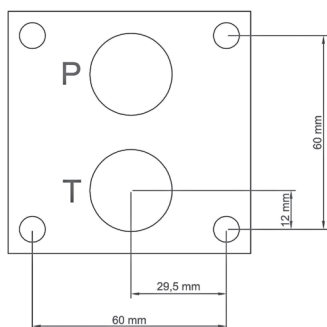
Piston Pump Range

Disp. (cc/rev)	Pump	Flow (lpm)	Power (kW)													
			0.55	0.75	1.1	1.5	2.2	3	4	5.5	7.5	9.2	11	15	18.5	22
8	SAE-A	11.2					100	137	183	210	210					
16	SAE-A	22.3								126	171	210	210			
22	SAE-A	30.7								91	124	153	183	210	210	
36	SAE-B	50.3								56	76	93	112	152	188	210
46	SAE-B	64.2								44	60	73	87	119	147	175

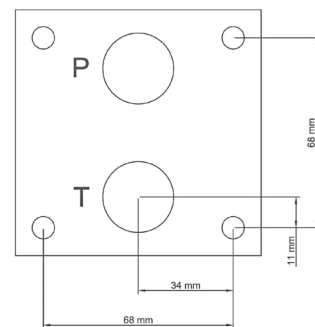
Max. Pressure (Bar)

Station Manifold Interfaces

Cetop 3



Cetop 5

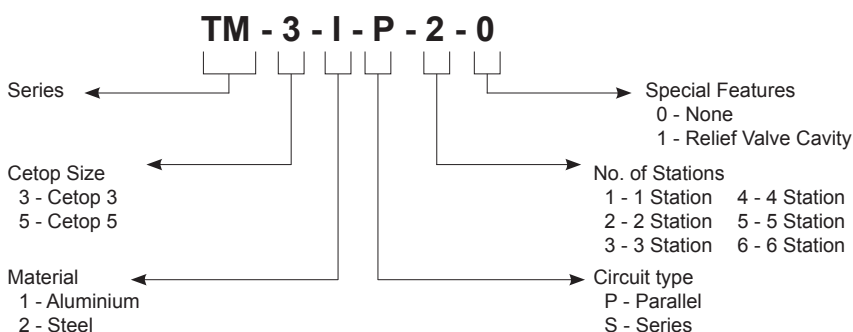


Cetop 3 Manifold Part Number

Station	Parallel	Series
1	TM-3-1-P-1-0	TM-3-1-S-1-0
2	TM-3-1-P-2-0	TM-3-1-S-2-0
3	TM-3-1-P-3-0	TM-3-1-S-3-0
4	TM-3-1-P-4-0	TM-3-1-S-4-0
5	TM-3-1-P-5-0	TM-3-1-S-5-0
6	TM-3-1-P-6-0	TM-3-1-S-6-0

Cetop 5 Manifold Part Number

Station	Parallel	Series
1	TM-5-1-P-1-0	TM-5-1-S-1-0
2	TM-5-1-P-2-0	TM-5-1-S-2-0
3	TM-5-1-P-3-0	TM-5-1-S-3-0
4	TM-5-1-P-4-0	TM-5-1-S-4-0
5	TM-5-1-P-5-0	TM-5-1-S-5-0
6	TM-5-1-P-6-0	TM-5-1-S-6-0



Please note that the operating specifications are based on 95% volumetric efficiency and 85% mechanical efficiency.