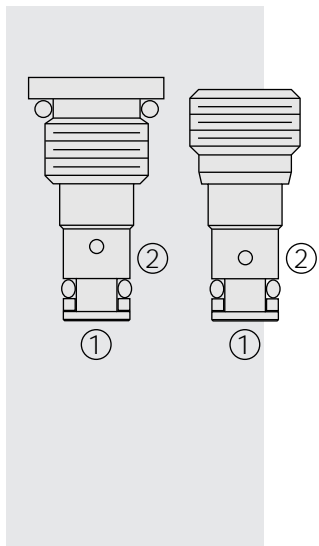
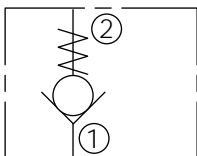


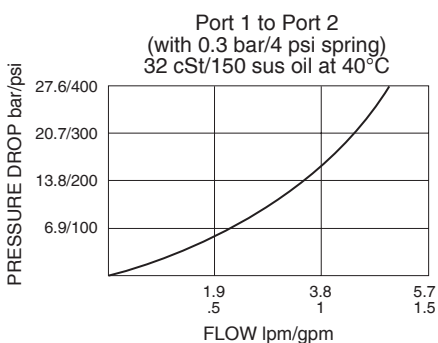
CV04-20 & CV04-B20 Check Valves



ISO SYMBOL



PERFORMANCE (Cartridge Only)



DESCRIPTION

A screw-in, cartridge-style, hydraulic check valve for use as a blocking or load-holding device. Available in conventional surface mount or convenient “down-hole” versions.

OPERATION

The **CV04-20** and **CV04-B20** allow flow passage from 1 to 2, while normally blocking oil flow in the opposite direction.

The cartridge has a fully guided check which is spring-biased closed until sufficient pressure is applied at 1 to open to 2.

FEATURES

- Hardened seat for long life and low leakage.
- Optional bias springs for back-pressure application flexibility.
- Fully guided check assembly.
- Miniature size.
- Fast closing and seating.

RATINGS

Operating Pressure: 241.3 bar (3500 psi)

Flow: See Performance Chart

Internal Leakage: 0.10 cc/minute (2 drops/minute) max. at 206.8 bar (3000 psi)

Crack Pressure Defined: Gauge psi evident at 1 at 16.4 cc/minute (1 cu. in./minute) attained

Standard Bias Springs at Crack: 0.34 bar (5 psi)

Temperature: -40° to 120°C (-40° - 248°F)

Filtration: Recommend 25µ nominal or better; See page 9.010.1

Fluids: Mineral-based or synthetics with lubricating properties at viscosities of 7.4 to 420 cSt (50 to 2000 sus); See Temperature and Oil Viscosity, page 9.060.1

Installation: No restrictions

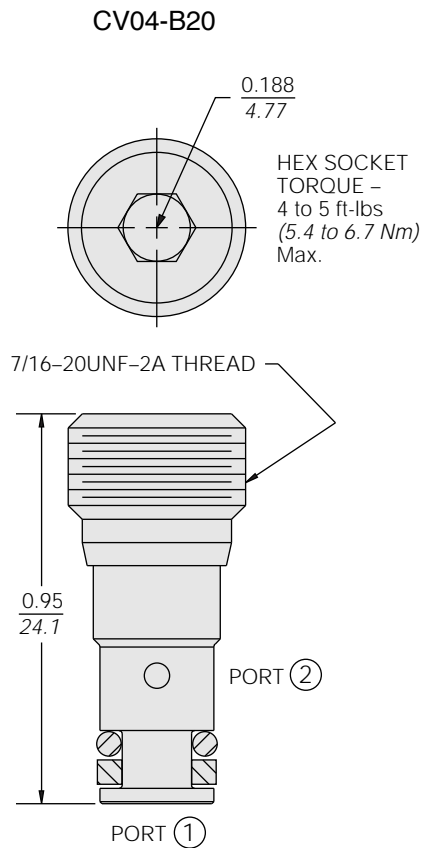
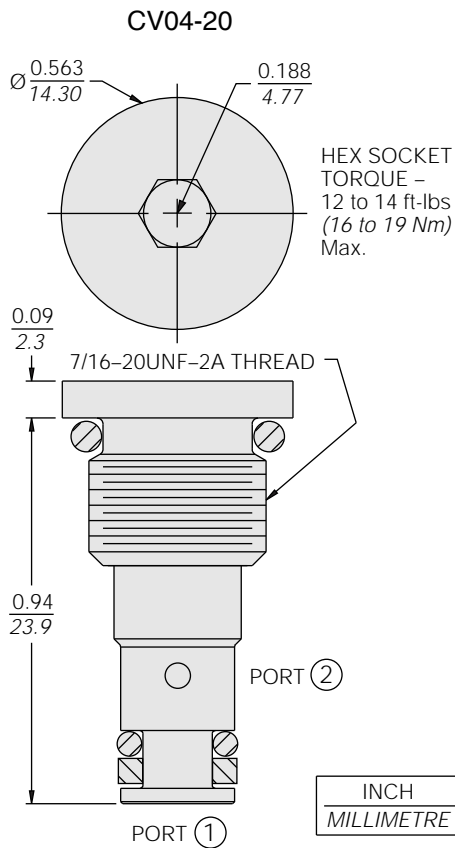
Cavity: VC04-2 or VC04-B2; See page 9.104.1

Cavity Tool: CT04-2xx or CT-B3xx; See page 8.600.1

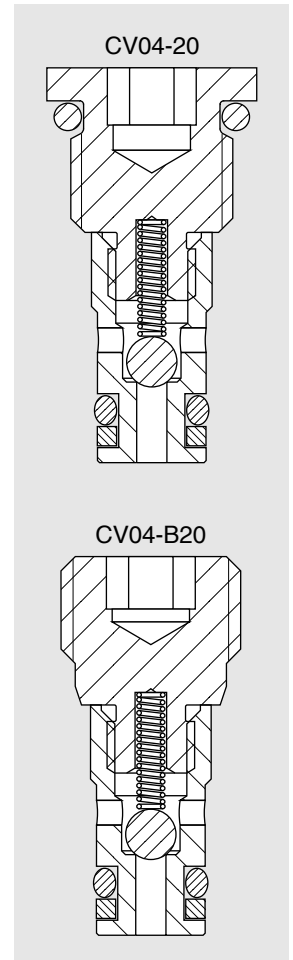
Seal Kit: For CV04-20: SK04-2X-T; For CV04-B20: SK04-B2X-T

CV04-20 & CV04-B20

DIMENSIONS



INCH
MILLIMETRE



MATERIALS

Cartridge: Weight: 0.05 kg. (0.12 lbs.)
 Steel with hardened work surfaces.
 Zinc-plated exposed surfaces.
 Buna N O-rings and back-up standard.

TO ORDER

