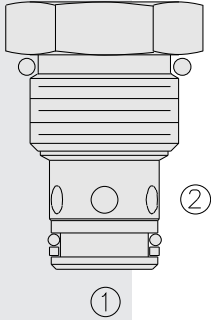


CV10-20 Check Valve



DESCRIPTION

A screw-in, cartridge-style, hydraulic check valve for use as a blocking or load-holding device.

OPERATION

The CV10-20 allows flow passage from 1 to 2, while normally blocking oil flow in the opposite direction.

The cartridge has a fully guided check which is spring-biased closed until sufficient pressure is applied at 1 to open to 2.

FEATURES

- Hardened seat for long life and low leakage.
- Optional bias springs for back-pressure application flexibility.
- 300 psi bias spring option with tall cap available.
- Fully guided check assembly.
- Industry common cavity.

RATINGS

Operating Pressure: 240 bar (3500 psi)

Proof Pressure: 350 bar (5075 psi)

Flow Rating: 75.8 lpm (20 gpm)

Internal Leakage: 0.10 ml/minute (2 drops/minute) max. at 240 bar (3500 psi)

Temperature: -40 to 100°C (-40 to 212°F) with Buna N seals;

-26 to 204°C (-15 to 400°F) with fluorocarbon seals;

-54 to 107°C (-56 to 225°F) with polyurethane or urethane seals.

Filtration: See page 9.010.1

Fluids: Mineral-based or synthetics with lubricating properties at viscosities of 7.4 to 420 cSt (50 to 2000 sus); See Temperature and Oil Viscosity, page 9.060.1

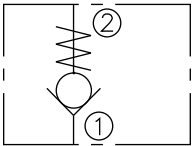
Installation: No restrictions; See page 9.020.1

Cavity: VC10-2; See page 9.110.1

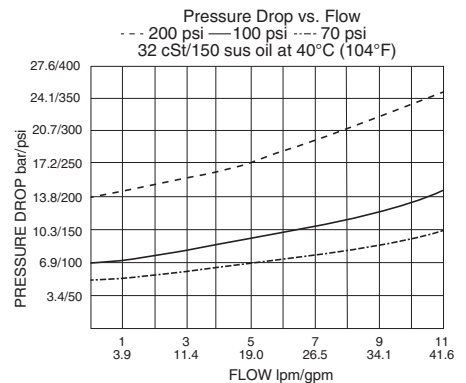
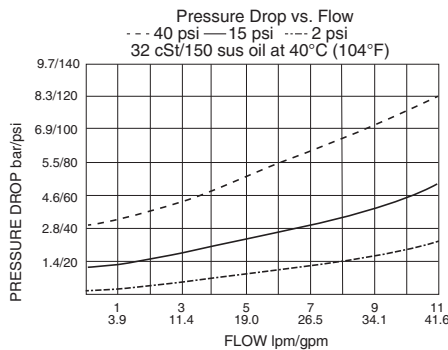
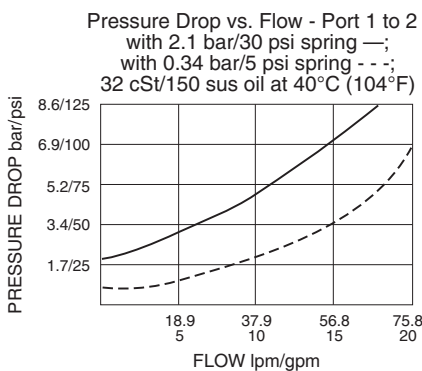
Cavity Tool: CT10-2XX; See page 8.600.1

Seal Kit: SK10-2X-T; See page 8.650.1

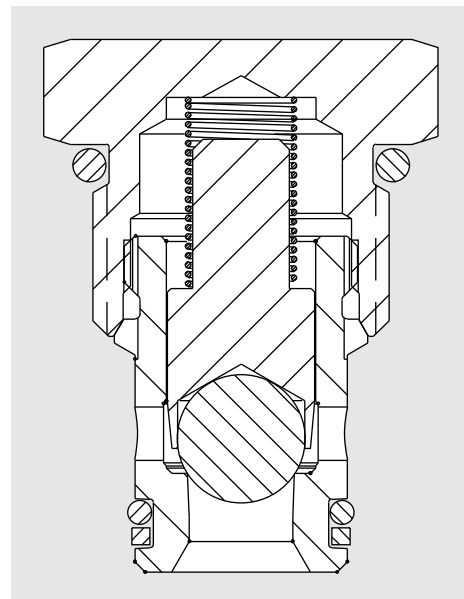
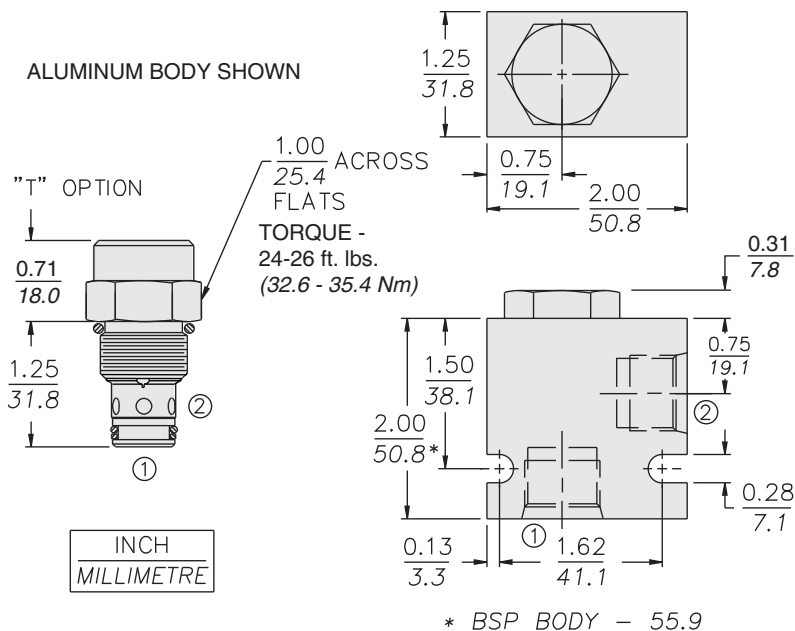
ISO SYMBOL



PERFORMANCE (Cartridge Only)



DIMENSIONS



MATERIALS

Cartridge: Weight: 0.08 kg. (0.18 lbs.)
T option weight: 0.12 kg. (0.26 lb.)
Steel with hardened work surfaces.
Zinc-plated exposed surfaces.
Buna N O-rings and polyester elastomer back-ups standard.

Standard Ported Body: Weight: 0.16 kg. (0.35 lbs.) Anodized high-strength aluminum alloy, rated to 207 bar (3000 psi). Ductile iron bodies available; dimensions may differ. See page 8.010.1

TO ORDER

CV10-20 -

Adaptor Option

Tall Adaptor **T**

*Required for 300 psi spring

Porting

Cartridge Only **0**
SAE 6 **6T**
SAE 8 **8T**
1/4 in. BSP* **2B**
3/8 in. BSP* **3B**
1/2 in. BSP* **4B**

*BSP Body;
U.K. Mfr. Only

Bias Spring

02 0.14 bar (2 psi)
05 0.34 bar (5 psi)
15 1 bar (15 psi)
30 2.1 bar (30 psi)
40 2.8 bar (40 psi)
70 4.8 bar (70 psi)
100 6.9 bar (100 psi)
200 13.6 bar (200 psi)
300* 20.4 bar (300 psi)

*Requires "T" Option

Seals

N Buna N (Std.)
V Fluorocarbon
HV Fluorocarbon
P Polyurethane