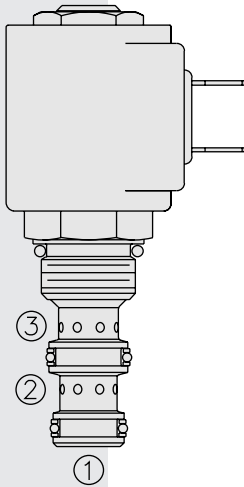


SV08-33 Spool, 3-Way



DESCRIPTION

A solenoid-operated, 3-way, direct-acting, spool-type, screw-in hydraulic directional valve.

OPERATION

When de-energized, the SV08-33 allows flow from ③ to ①, while blocking flow at ②. When energized, the cartridge's spool shifts to open from ② to ①, while blocking at ③. While port ① may be fully pressurized, it is not intended to be used as the inlet.

Operation of Manual Override Option: To override, push button in and twist counterclockwise 180°. The internal spring will push the button out. In this position, the valve may be only partially shifted. To assure full override shift, pull the button out to its fullest extension and hold it in this position.

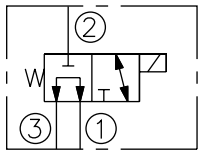
To return to normal valve function, push button in, twist clockwise 180°, and release. Override will be detented in this position.

FEATURES

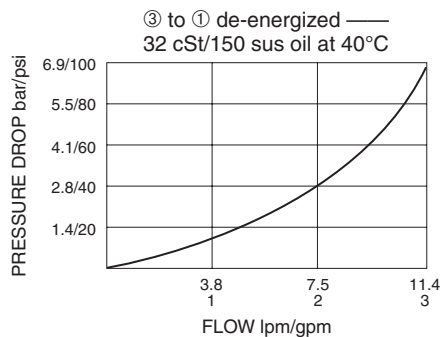
- Continuous-duty rated solenoid.
- Hardened precision spool and cage for long life.
- Optional coil voltages and terminations.
- Efficient wet-armature construction.
- Cartridges are voltage interchangeable.
- All ports may be fully pressurized.
- Manual override option.
- Optional waterproof E-Coils rated up to IP69K.
- Unitized, molded coil design.
- Compact size.

SYMBOLS

USAS/ISO:



PERFORMANCE (Cartridge Only)



RATINGS

Operating Pressure: 207 bar (3000 psi)

Flow: See Performance Chart

Internal Leakage: 82 cc/minute (5 cu. in./minute) max. at 207 bar (3000 psi)

Temperature: -40 to 120 °C with standard Buna seals

Coil Duty Rating: Continuous from 85% to 115% of nominal voltage

Initial Coil Current Draw at 20 °C: Standard Coil: 1.2 A at 12 Vdc;

0.13 A at 115 Vac (full wave rectified).

E-Coil: 1.4 A at 12 Vdc; 0.7 A at 24 Vdc

Minimum Pull-in Voltage: 85% of nominal at 207 bar (3000 psi)

Filtration: See page 9.010.1

Fluids: Mineral-based or synthetics with lubricating properties at viscosities of

7.4 to 420 cSt (50 to 2000 sus); See Temperature and Oil Viscosity, page 9.060.1

Installation: No restrictions; See page 9.020.1

Cavity: VC08-3; See page 9.108.1

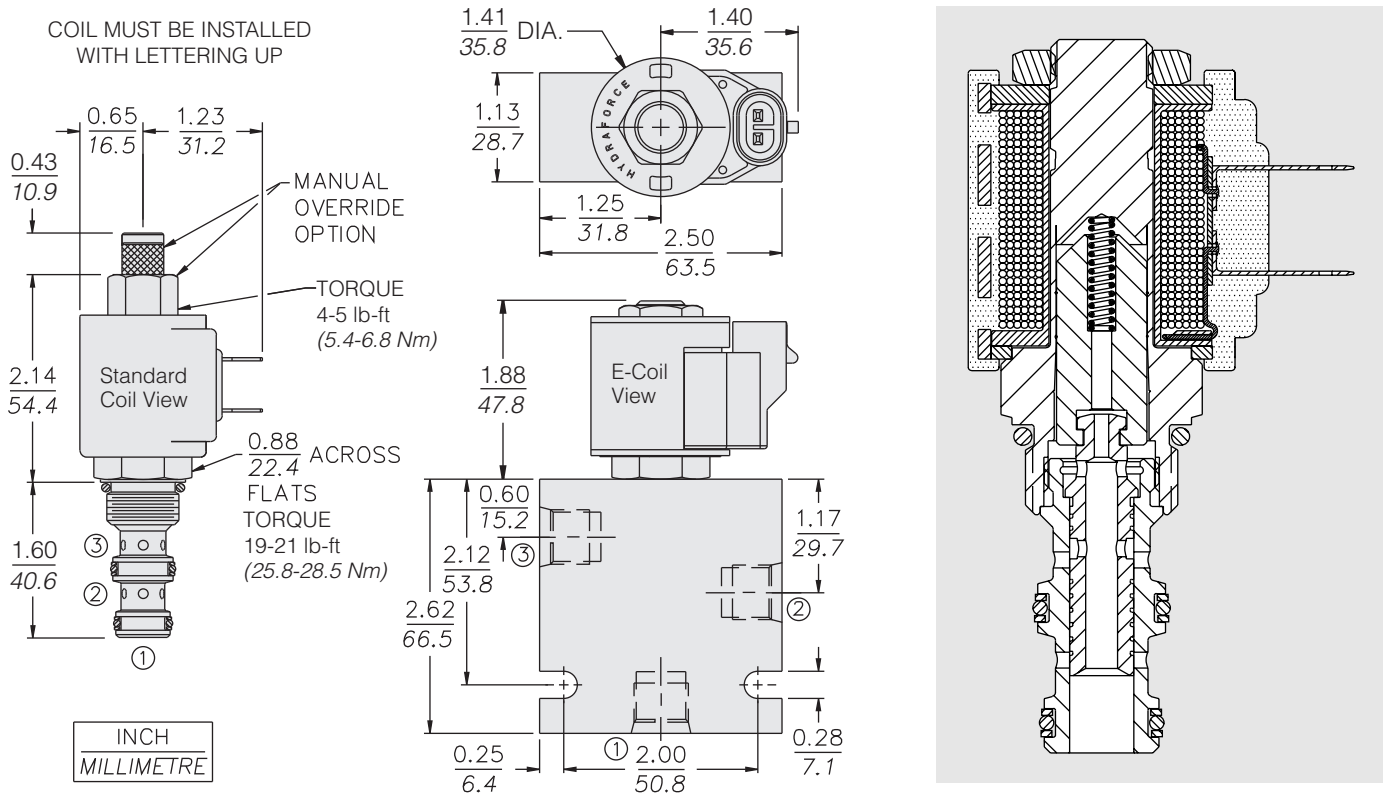
Cavity Tool: CT08-3XX; See page 8.600.1

Seal Kit: SK08-3X-MM; See page 8.650.1

Coil Nut: Part No. 7004400;

For E-coils manufactured prior to 1-1-04, see page 3.400.1 for coil nut info.

DIMENSIONS



MATERIALS

Cartridge: Weight: 0.13 kg (0.28 lb); Steel with hardened work surfaces. Zinc-plated exposed surfaces; Buna N O-rings and back-ups standard.

Standard Ported Body: Weight: 0.27 kg (0.60 lb); Anodized high-strength 6061 T6 aluminum alloy, rated to 207 bar (3000 psi); Ductile iron bodies available; dimensions may differ. See page 8.008.1.

Standard Coil: Weight: 0.11 kg (0.25 lb); Unitized thermoplastic encapsulated, Class H high temperature magnet wire. See page 3.200.1.

E-Coil: Weight: 0.14 kg (0.3 lb); Perfect wound, fully encapsulated with rugged external metal shell; Rated up to IP69K with integral connectors.

See page 3.400.1 for all E-Coil retrofit applications.

TO ORDER

SV08-33			-			-			-			-			-			-		
												Option			Voltage			Termination (Vdc)		
												None (Blank)			Std. Coil			Std. Coil		
												Manual Override M			0 Less Coil**			DS Dual Spades		
												For Manual Override options see page 1.001.1			10 10 Vdc [†]			DG DIN 43650		
												Porting			12 12 Vdc			DL Leadwires (2)		
												Cartridge Only 0			24 24 Vdc			DL/W Leads w/Weatherpak® Connectors		
												SAE 6 6T			36 36 Vdc			DR Deutsch DT04-2P		
												3/8 in. BSP* 3B			48 48 Vdc			Termination (Vac)		
												*BSP Body; U.K. Mfr. Only			24 24 Vac			Std. Coil		
															115 115 Vac			AG DIN 43650		
															230 230 Vac			AP 1/2 in. Conduit		
															E-Coil			Termination (Vdc)		
												Seals			10 10 Vdc			ER Deutsch DT04-2P (IP69K Rated)		
												Buna N (Std.) N			12 12 Vdc			EY Metri-Pack® 150 (IP69K Rated)		
												Fluorocarbon V			20 20 Vdc			Coils with internal diode are available. Consult factory.		
															24 24 Vdc					